

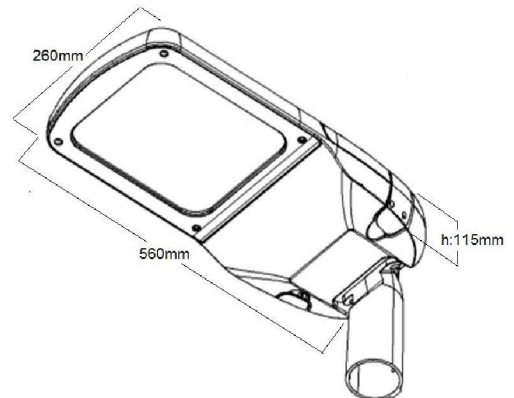


SMARTSTREET

AREAS OF APPLICATION

- Collection Roads
- Main Roads
- Logistic Areas
- Urban Areas
- Parks

| | |
|---------------|--------|
| Length | 560 mm |
| Width | 260 mm |
| Height | 115 mm |



ELECTRICAL DATA

| | |
|------------------------|-------------------------------|
| Nominal wattage | 60 - 130 W |
| Operating mode | Electronic control gear (ECG) |
| Nominal voltage | 220...240 V |
| Mains frequency | 50/60 Hz |
| Power factor λ | >0.90 |

COLORS & MATERIALS

| | |
|---------------|----------------------------|
| Body material | Aluminum dia cast |
| Housing color | Electrostatic powder paint |

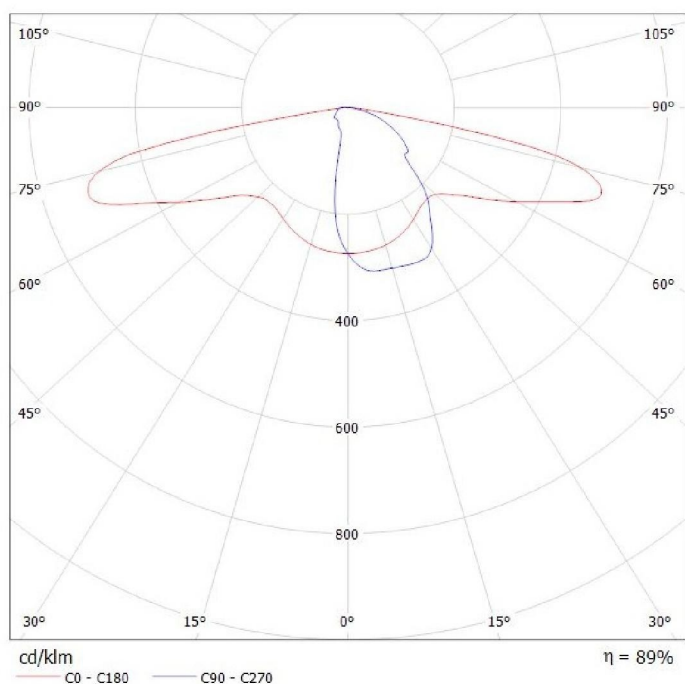
PHOTOMETRICAL DATA

| | |
|--------------------------|-----------------|
| Color temperature | 2700 K - 6500 K |
| Luminous flux* | 7920 - 17160 lm |
| Color rendering index Ra | >80 |
| Luminous efficiency*** | 132 lm/w |

LIGHT TECHNICAL DATA

| | |
|------------|---------------------------|
| Beam angle | Asymmetrical Distribution |
|------------|---------------------------|

LIGHT DISTRIBUTION



- Luminous flux calculated according to BRANDED LED chips.
- Based on 6500K Values.
- Luminous flux calculated to light source.
- Luminous flux depends to lens or diffuser.

COLORS & MATERIALS

| | |
|----------------|----------------------------|
| Product color | Electrostatic powder paint |
| Cover material | Tempered glass |

TEMPERATURES & OPERATING CONDITIONS

| | |
|---------------------------|-------------|
| Ambient temperature range | -20...50 °C |
|---------------------------|-------------|

ADDITIONAL PRODUCT DATA

| | |
|-------------------|------|
| Mounting type | Pole |
| Mounting location | |

OPTIONS

| | |
|------------------------|-----------------------|
| Dimmable** | On Off / 1-10V / DALI |
| Type of connection | Cable |
| LED module replaceable | Yes |

CERTIFICATES & STANDARDS

| | |
|--------------------|-----------------------------|
| Protection class | I |
| Type of protection | IP66 |
| Standards | TS EN 60598-1 / IEC 60598-1 |

LOGISTICAL DATA

| Product code | Product description | Packaging unit (Pieces/Unit) | Dimensions (length x width x height) | Volume |
|--------------|---------------------|------------------------------|--------------------------------------|--------|
| | Smartstreet | Shipping carton box 1 | | |

The mentioned product code describes the smallest quantity unit which can be ordered. One shipping unit can contain one or more single products. When placing an order, for the quantity please enter single or multiples of a shipping unit.

DISCLAIMER

Subject to change without notice. Errors and omission excepted.
Always make sure to use the most recent release.

- Product color can be ordered with other RAL codes.
- On Off dimmable is standard, 1-10V and DALI are an option.